

Brass Check Valves

Brass Body • Swing Type Check

200 PSI/14 Bar Non-Shock Cold Working Pressure

MATERIAL LIST

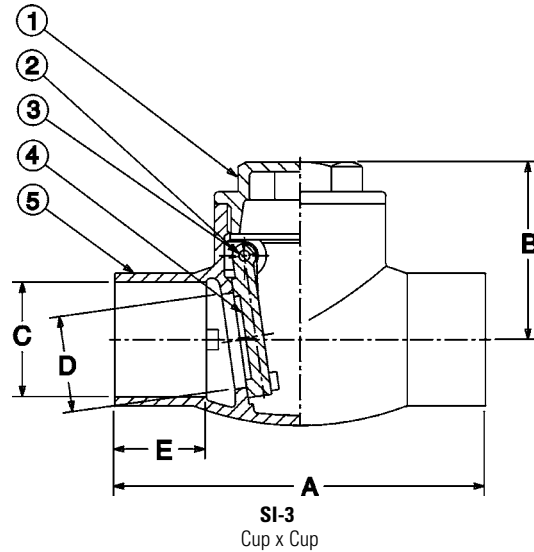
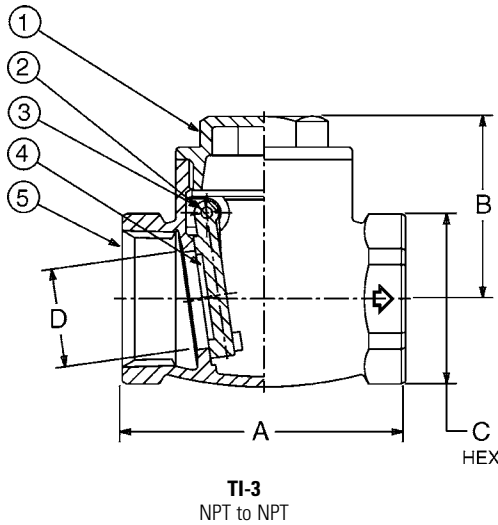
PART	SPECIFICATION
1. Bonnet	Bronze ASTM B 584 Alloy C85700
2. Plug	Bronze ASTM B 16 Alloy C36000
3. Pin	Brass ASTM B 16 Alloy C37700
4. Disc	Brass ASTM B 124 Alloy C37700
5. Body	Brass ASTM B 584 Alloy C85700 or Alloy C83600



TI-3
Threaded



SI-3
Solder



DIMENSIONS—WEIGHTS

Size	Dimensions															WEIGHT							
	TI-3		SI-3		TI-3		SI-3		TI-3		SI-3		SI-3		TI-3		SI-3						
	A	A	B	B	C	C	D	D	E	D	D	E	Lbs.	Kg.	Lbs.	Kg.							
1/2	15	2.05	52	2.13	54	1.50	38	1.50	38	1.00	25	0.63	16	0.52	13	0.52	13	0.50	13	0.46	0.21	0.46	0.21
3/4	20	2.32	59	2.99	76	1.57	40	1.57	40	1.22	31	0.88	22	0.70	18	0.70	18	0.75	19	0.66	0.30	0.66	0.30
1	25	2.72	69	3.66	93	1.77	45	1.77	45	1.50	38	1.13	29	0.94	24	0.94	24	0.91	23	0.92	0.42	0.92	0.42
1 1/4	32	3.11	79	4.09	104	2.01	51	2.01	51	1.85	47	1.38	35	1.24	32	1.24	32	0.97	25	1.60	0.73	1.60	0.73
1 1/2	40	3.50	89	4.57	116	2.17	55	2.17	55	2.11	54	1.63	41	1.42	36	1.42	36	1.09	28	1.79	0.81	1.79	0.81
2	50	4.29	109	5.51	140	2.64	67	2.64	67	2.60	66	2.13	54	1.81	46	1.81	46	1.34	34	2.87	1.30	2.87	1.30
2 1/2	65	5.31	135	—	—	3.31	84	—	—	3.23	82	—	—	2.26	57	—	—	—	—	5.29	2.40	—	—
3	80	6.30	160	—	—	3.78	96	—	—	3.78	96	—	—	2.70	69	—	—	—	—	8.82	4.01	—	—
4	100	7.38	190	—	—	4.45	113	—	—	4.80	122	—	—	3.78	96	—	—	—	—	13.23	6.01	—	—

NOT FOR USE WITH POTABLE DRINKING WATER APPLICATIONS AFTER JANUARY 3, 2014.