

DSC-EA RATE OF RISE THERMAL DETECTOR



SPECIFICATIONS

Rated Voltage:	24VDC
Working Voltage:	15 - 30VDC
Maximum Switching Current:	100mA max.
Heat Sensing Element:	Air chamber composed with the diaphragm.
Operating Temp. Range:	-10° C - +50° C (14° F - 122° F)
Storage Temp. Range:	-30° C - +70° C (-22° F - 158° F)
Relative Humidity (at 40° C):	95% RH Non-Condensing
Dimensions:	3.9 " D x 1.3" H
Weight:	3 oz.
Color:	Bone
Applicable Standard:	UL-521
Response Grade:	Ordinary

Specifications subject to change without notice.

STANDARD FEATURES

1. The DSC features a slim design which combines visual appeal with a high standard of reliability.
2. The design of the DSC enables the detector to operate in locations where the temperature is likely to increase suddenly should a fire develop.
3. The operating characteristics of DSC is a key feature of the product enabling a very cost effective solution for the use of heat detectors. This detector consumes no current in standby, which enables an unlimited number of detectors to be connected on the same detection wires.
4. With connection to the standard Hochiki range of conventional bases, the DSC heat detector can be connected or disconnected very easily, allowing simple interchangeability with other members of the Hochiki conventional detectors.

APPLICATION

The DSC rate of rise heat detector is suitable for use in most applications that require heat detection. Please note that special attention should be given to avoid installation in direct line with hot air heaters, above stoves, ovens or other heat generating objects.

OPERATION

The DSC rate of rise heat detectors are composed of an air chamber, vent and a flexible metal diaphragm. When the DSC is heated, the air in the chamber expands. The vent permits the chamber to breathe and slowly release the expanded air. If a fire occurs, the air in the chamber will expand more rapidly than it can be vented. This causes the diaphragm to close a set of precious metal contacts (normally open) to trigger the alarm signal.



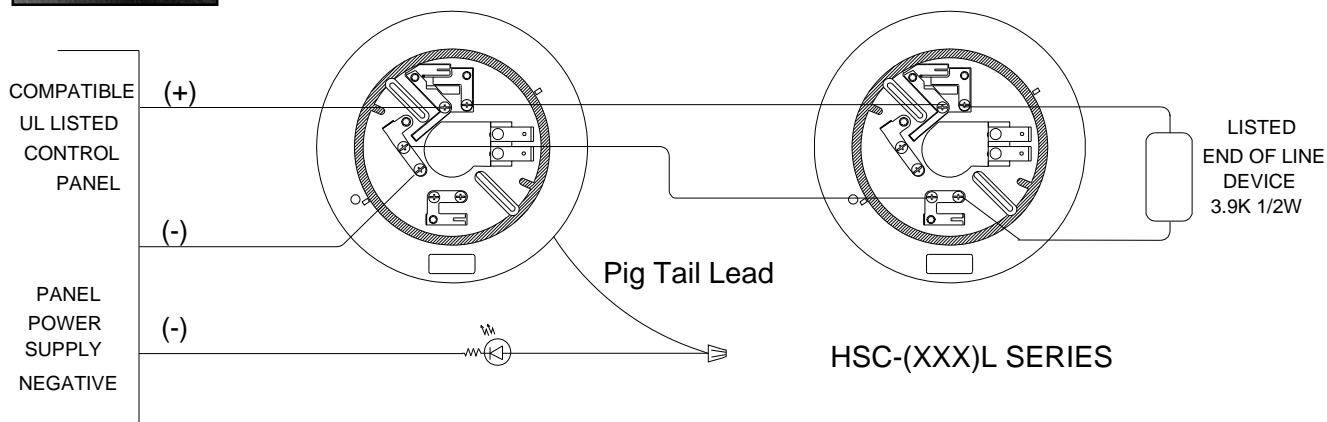
Continued on back.

COMPATIBLE BASES

HSC-(XXX)L HEAT DETECTOR BASE



The HSC-(XXX)L Series is a 6" base featuring a current limiting resistor, latching annunciator output and a latching circuit so the alarm LED will remain lit until the control panel has been reset. Heat detectors are not recognized as proper detection for life safety protection, therefore they should be utilized only for the protection of property.



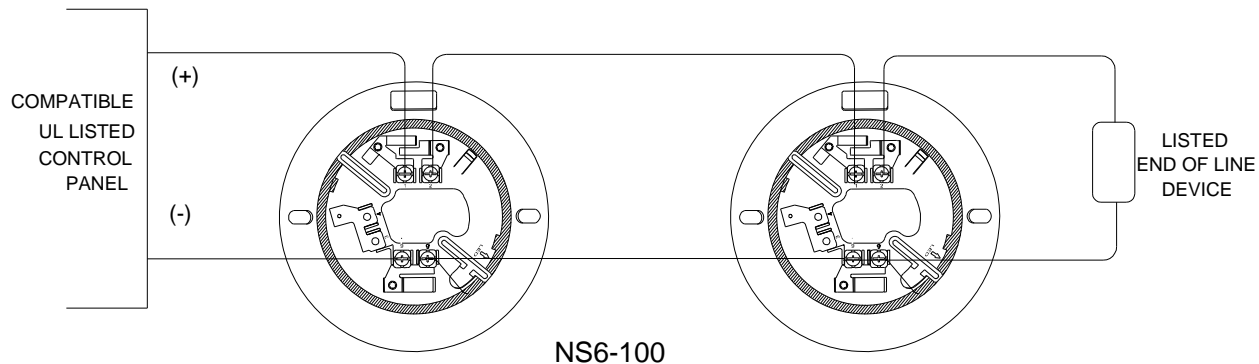
Nominal alarm current shown at 24V. Polarized with annunciator output.

HSC-220L	73mA
HSC-221L	41mA
HSC-224L	38mA

NS6-100 DETECTOR BASE



The NS6-100 is a 6" diameter base that has no current limiting nor annunciator output features. A direct short occurs across the loop when the detector is actuated. Heat detectors are not recognized as proper detection for life safety protection, therefore they should be utilized only for the protection of property.



NS6-100
Non polarized, not current limited. No annunciator output.

We try to keep our product information up-to-date and accurate. However, we cannot cover all specifications or anticipate all requirements. For additional information contact your local distributor or call or write Hochiki America Corporation.